

# V Series

## Vertical Filter-Coalescer/Separator For Use with DI/DSO Cartridges

### STANDARD DESIGN FEATURES

- Pleated paper separator cartridges
- 150 psi ASME Code construction
- RF flanged connections
- Swing bolt closure with O-ring seal
- Epoxy-coated interior, primed exterior
- Threaded base coalescer
- Carbon Steel Construct

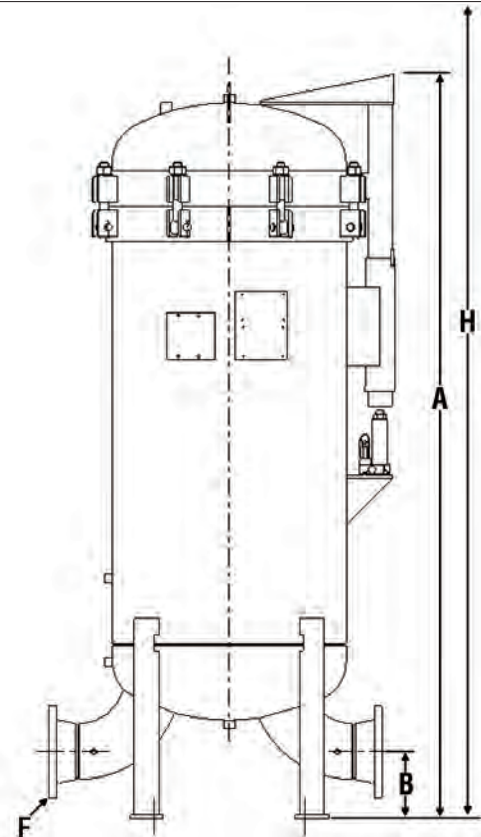
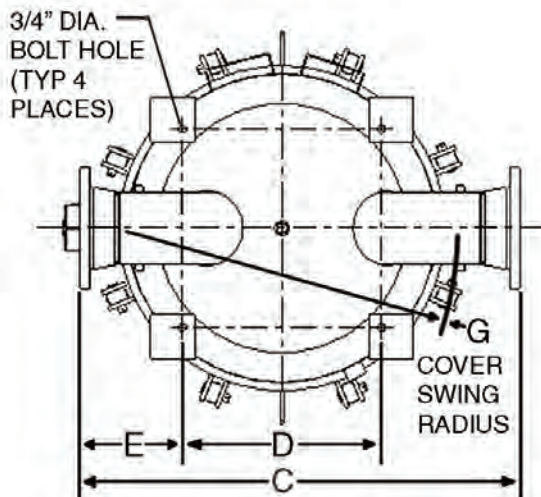
### OPTIONAL ACCESSORIES

- Automatic air vent (R)
- Water slug valve (R)
- Sump heater
- Pressure relief valve (R)
- Water interface control (R)
- Sump sight glass
- Differential pressure gauge (R)
- Sampling probes (R)
- Manual drain valve (R)

The accessory items marked with an (R) are recommended for safe, effective operation of all installations.



Clearance Required to Remove Cartridges



Vessel Model	Flow Rate Range lpm (gpm)		DI/DSO		Dimensions mm (in.)								Wt. w/ Skid kgs (lbs)	Vol. Ltr. (U.S. gal)
			Length mm (in.)	Qty. (C/S)	A	B	C	D	E	F	G	H		
	Min - Max	Target												
V2222	335 - 835 (90 - 220)	500 (130)	559 (22)	4/3	1575 (62)	203 (8)	689 (27 1/8)	394 (15 1/2)	159 (6 1/4)	102 (4)	762 (30)	2184 (86)	503 (1110)	242 (64)
V2233	500 - 1250 (135 - 330)	750 (200)	838 (33)	4/3	1753 (69)	203 (8)	689 (27 1/8)	394 (15 1/2)	159 (6 1/4)	102 (4)	762 (30)	2591 (102)	513 (1130)	273 (72)
V2833	750 - 1875 (200 - 495)	1125 (300)	838 (33)	6/5	2108 (83)	203 (8)	1016 (40)	457 (18)	321 (12 5/8)	152 (6)	889 (35)	2997 (118)	748 (1650)	644 (170)
V2844	1000 - 2500 (265 - 660)	1500 (400)	1118 (44)	6/5	2261 (89)	203 (8)	1016 (40)	457 (18)	321 (12 5/8)	152 (6)	889 (35)	3378 (133)	767 (1690)	700 (185)
V3638	1585 - 3955 (420 - 1045)	2380 (630)	965 (38)	11/9	2326 (91 3/16)	203 (8)	1607 (63 1/4)	584 (23)	511 (20 1/8)	152 (6)	1118 (44)	3277 (129)	943 (2080)	1060 (280)
V3644	1835 - 4580 (485 - 1210)	2750 (730)	1118 (44)	11/9	2448 (96 3/8)	229 (9)	1324 (52 1/8)	584 (23)	371 (14 5/8)	203 (8)	1118 (44)	3556 (140)	975 (2150)	1155 (305)
V3656	2335 - 5830 (620 - 1540)	3500 (930)	1422 (56)	11/9	2786 (109 11/16)	229 (9)	1324 (52 1/8)	584 (23)	371 (14 5/8)	203 (8)	1118 (44)	4064 (160)	1043 (2300)	1344 (355)
V4244	2500 - 6245 (660 - 1650)	3750 (995)	1118 (44)	15/12	2626 (103 3/8)	229 (9)	1405 (55 5/16)	711 (28)	381 (15)	203 (8)	1270 (50)	3810 (150)	1520 (3350)	1703 (450)
V4256	3180 - 7950 (840 - 2100)	4770 (1260)	1422 (56)	15/12	2931 (115 3/8)	229 (9)	1405 (55 5/16)	711 (28)	381 (15)	203 (8)	1270 (50)	4191 (165)	1588 (3500)	1968 (520)

Dimensions shown are for estimating purposes only. For exact dimensional detail, obtain certified copy of vessel drawing.  
 \*Flow rates provided are for illustrative purposes. Actual flow rates may vary based on field conditions.

# System Sizing



Velcon's extensive bulk fuel handling experience and our state-of-the-art fuel testing laboratory have quantitatively proven that increased system/housing will allow

for lower flow rates per filter while dramatically extending the service life of the elements. Systems "sized for life" commonly see a full repayment of the additional system cost through operating savings. Using Velcon's proprietary calculator in **SizeRight**, for system sizing, we can help you select the right housing and elements for your application based on your ISO 4406 cleanliness requirements

and specified change-out interval. This invaluable tool can also help us in estimating your annual operating cost in maintaining your filtration system.

For additional information on this powerful tool, please contact Velcon or our local representative to have your filtration system **SizeRight** for your specific needs.

ISO Code vs Mass	
ISO Code	lbs/yr (kg/yr)
24/22/20	1609 (730)
22/20/18	564 (256)
17/15/13	20 (9.1)
12/9/7	4 (1.8)

Notes:  
 Values are based on usage of +3.5M Liter of fuel per year. Field results may vary.

